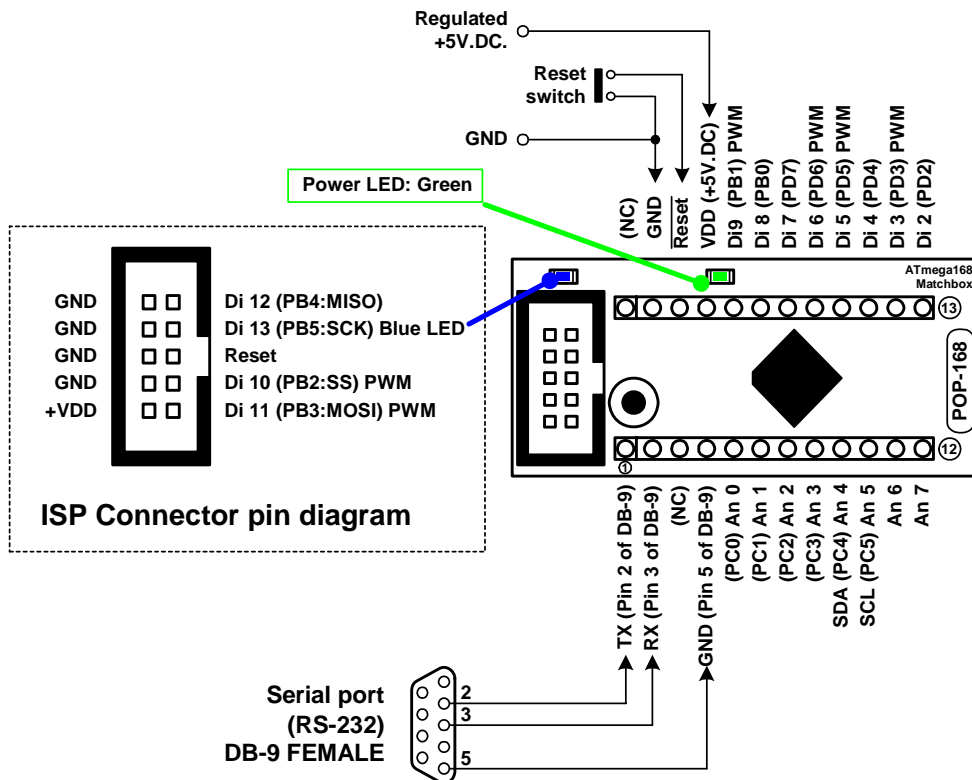
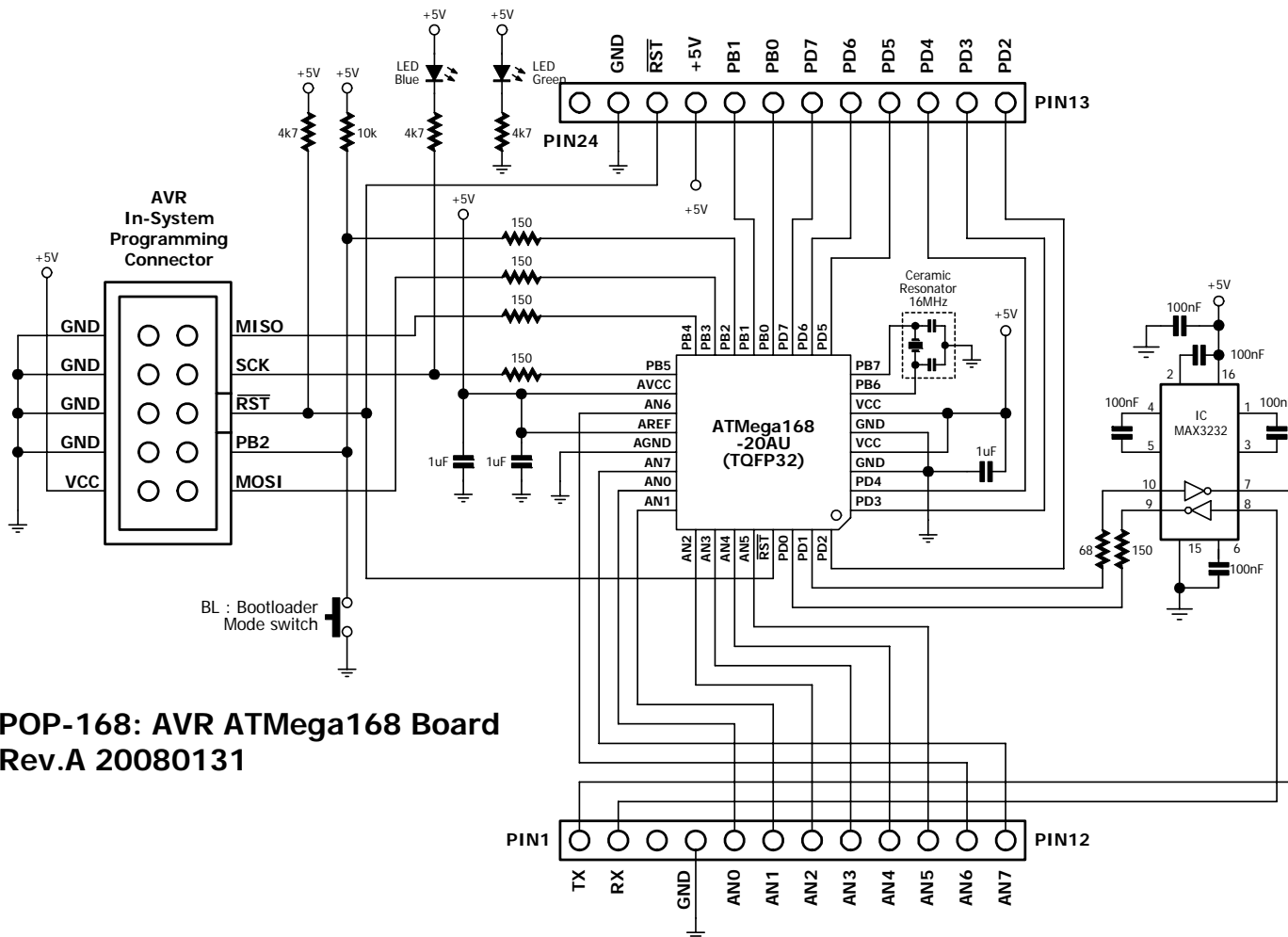




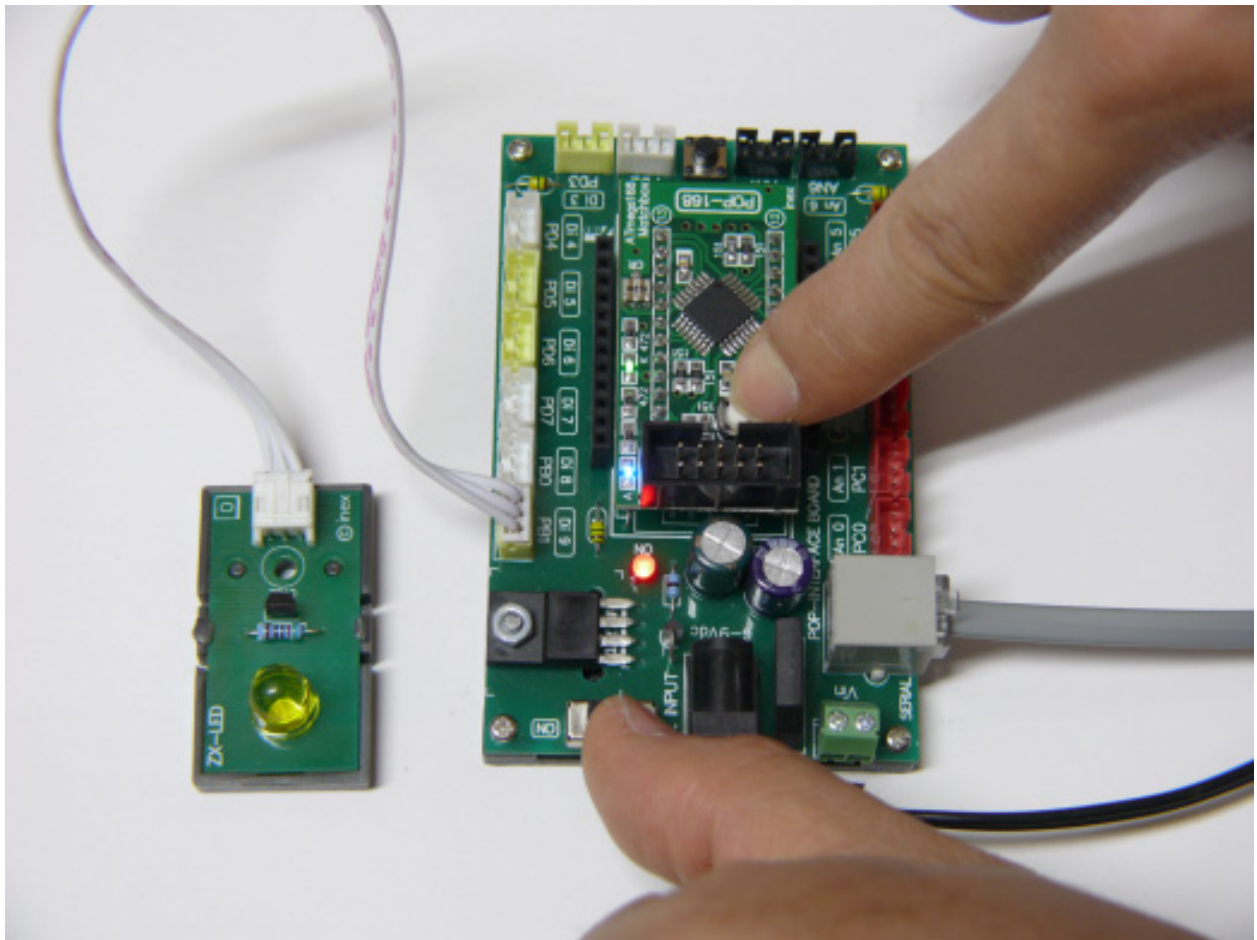
Short guide to POP-168 and Product CDROM



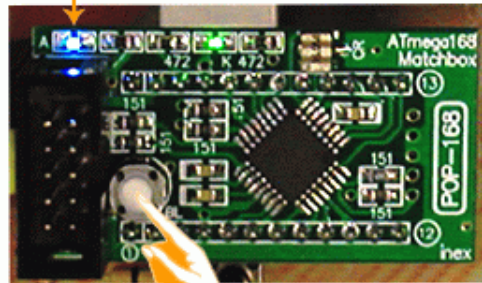
Quick guide : POP-168 connection diagram



POP-168: AVR ATmega168 Board Rev.A 20080131

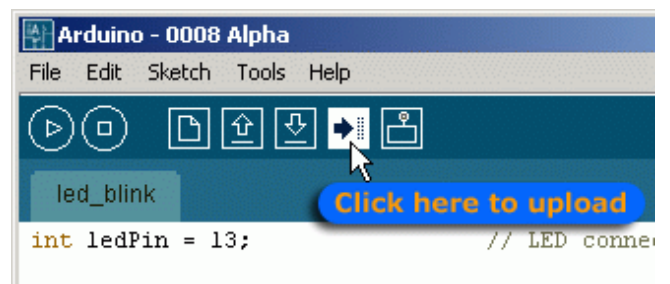
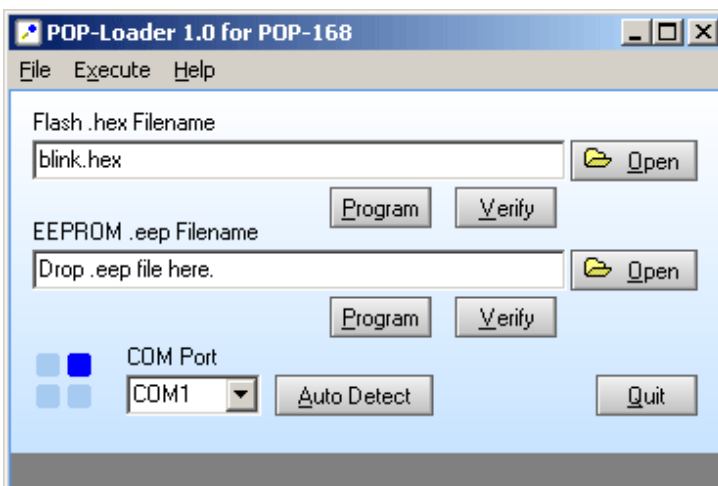


2. if OK, Blue LED will on.
and Bootloader ready to uploaded.



1. Hold this button
then power on to enter Bootloader

POP-168 bootloader mode enter for upload code use POP-Loader or Arduino IDE



What's In POP168-CDROM 20080123

[Document]

[Ardui no]

[Bi onic_Ardui noPDF]

- bi onic_ardui no_cl ass1 to 4. pdf
Bi onic Ardui no: Introduction to Mi crocontrol l er wi th Ardui no cl ass 1-4
by Tod E. Kurt
- ardui no_notebook_v1-1. pdf
Ardui no programmi ng Notebook v1.1
by Bri an W. Evans
- GettingStartedWi thArdui noR3. pdf
Getting Started with Ardui no 3rd release
by Massi mo Banzi

[POP-168 JX-POP168 and POP-Bui l der Ki t]

- JX-POP168 schemati c. pdf
- JX-POP168 user manual . pdf
- POP168 repl ace BASIC Stamp 2. pdf
- POP-168 pi nout. pdf
- POP-Bui l der Ki t schemati c. pdf
- Qui ckStart POP-Bui l der Ki t. pdf
by Innovative Experiment, <http://www.inexgl obal . com>

[Exampl es]

[AVRStudi o]

- POP168_Bl ink. zip
On board Bl ue LED Bl inki ng exampl e
usi ng: AVRStudi o 4.13 wi th WINAVR 20060421

[PC Interface]

* Exampl es are packed on si ngl e archi ve .ZIP format, unpack fi l es to harddri ve before usi ng. .

- Dimmer. zip
Si mpl e communi cati on exampl e to control LED bri ghtness on POP-168 wi th POP-Interface board
wri tten on Borl and Delphi 7 and Lazarus 0.9.24 beta (FreePascal) wi th SynaSer seri al port

l i brary

- POP-168 si de usi ng Ardui no 0010
PC si de usi ng Borl and Delphi 7 or Lazarus 0.9.24 beta
- DimmerFl ash. zip
Si mpl e communi cati on exampl e to control LED bri ghtness on POP-168 wi th POP-Interface board
wri tten on Macromedi a Fl ash 8
POP-168 si de usi ng Ardui no 0010
PC si de usi ng Macromedi a Fl ash 8 and runni ng Seri al Server
- ButtonLED. zip
Bi -di rectional communi cati on exampl e to control LED and get Swi tch on POP-168 wi th POP-
Interface board
wri tten on Macromedi a Fl ash 8
POP-168 si de usi ng Ardui no 0010
PC si de usi ng Macromedi a Fl ash 8 and runni ng Seri al Server

[Software]

[Ardui no]

- Ardui noSetup. exe
Ardui no 0010 software un-offi ci al packag e and Seri al Server addon
Ardui no project
<http://www.ardui no. cc>

[Seri al Server addon]

- Seri al ServerSetup. exe
Seri al Server socket connection to seri al port
Dan O' Sul l i van

[AVR Studi o 4.13]

- aStudi o4b528. exe
AVRStudi o 4.13 IDE software
Atmel Corp.

[POP-Loader 1.02]

- POPLoaderSetup. exe
POP-Loader 1.02 .hex fi l e upload uti l i ty for POP-168
Innovati ve Experiment

[UCON232 USB driver]

- USBDriverInstallV2.0.0.exe
Fully automatic USB driver install, most recommended for starter
- CDM 2.02.04.exe
USB Driver install for custom setting

[Utility]

[FTClean]

- FT Clean USB driver de-install and clean configuration on system

Future Technology Devices International Ltd.

[Utility]

[Acrobat reader]

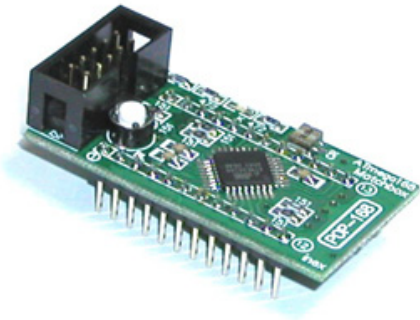
Adobe Acrobat Reader 5.05, .PDF file reader
by Adobe Inc.

[Hyperterm]

HyperTerminal for PC which did not installed (such as WindowsVista)
by Microsoft Corp. and Hilgraeve Inc.

[WinAVR]

- WinAVR-20060421-install.exe
<http://winavr.sourceforge.net>
Even older than current build (20071225) but 20060421 release was most stable. Recommended



Innovative Experiment Co.,Ltd.

Global site: <http://www.inexglobal.com>

Thailand: <http://www.inex.co.th>

POP-168 product online support & news update (RSS Blog)

<http://www.avride.com/pop>

Arduino project

<http://www.arduino.cc>

Atmel Corporation

AVR product: <http://www.atmel.com/avr>